

# Data Sheet

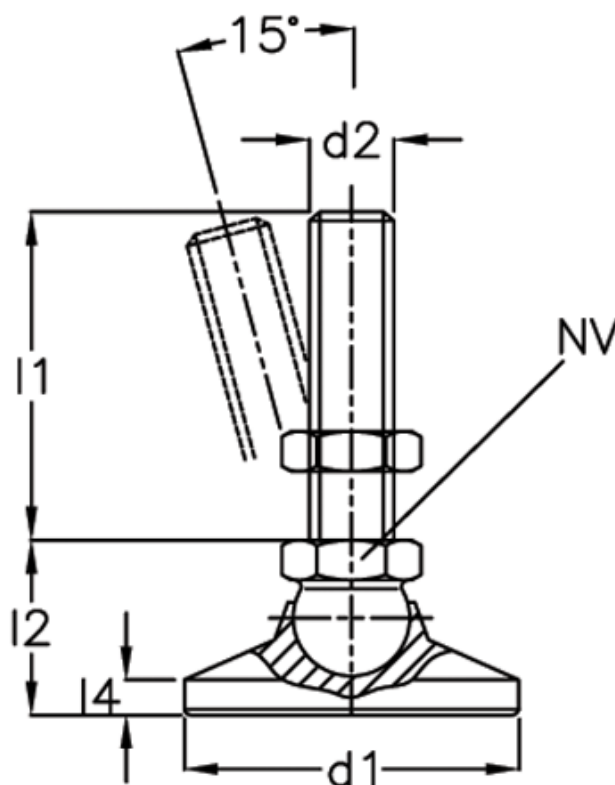


Article number: 20343232M840OS

Description: E+G Levelling foot  
GN 343.2-32-M8-40-OS

Note: 0

## Measures



$d1 = 32$

$d2 = M8$

$l1 = 40$

$l2 = 23$

$l3 = -$

$l4 = 5$

$l5 = -$

NV = 12

Static load = 14

Weight in (g) = 52